



Premium performance



High load capacity



Extreme temperatures

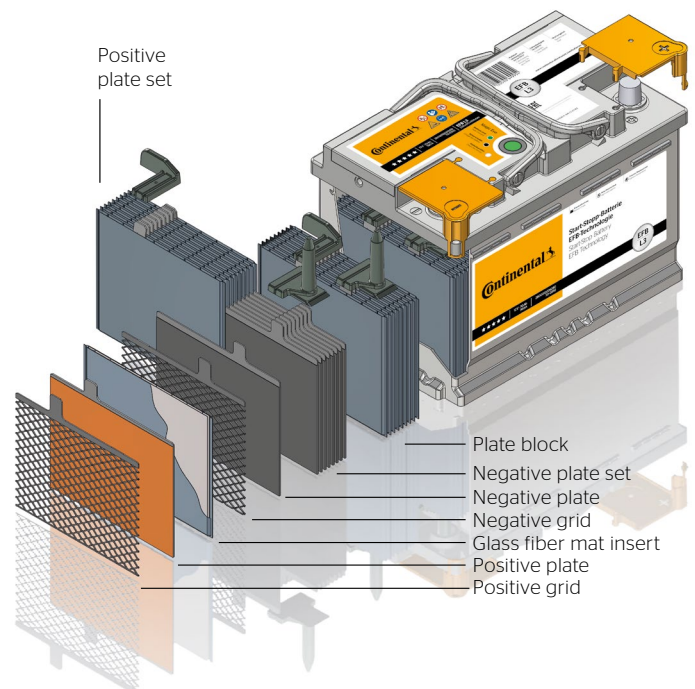


Start-stop battery with modern EFB technology

The Continental Enhanced Flooded Battery (EFB) is the right choice for vehicles with entry-level start-stop systems without braking energy recovery. It has impressive cold-start performance and enables both low-resistance and rapid charging and discharging.

All the advantages at a glance

- > Perfect for vehicles with entry-level start-stop system
- > For demanding climatic and weather conditions: 115% Cold Cranking Amps (CCA)*
- > Long life of at least two times more cycles*
- > High deep-discharge capability
- > 20% less energy consumption and greenhouse emissions*
- > Charge monitoring indicator (Magic Eye)
- > Extreme safety: 100% leak-proof
- > Maintenance-free – saves labor and costs
- > Two-year warranty



Positive plate set

Plate block
Negative plate set
Negative plate
Negative grid
Glass fiber mat insert
Positive plate
Positive grid

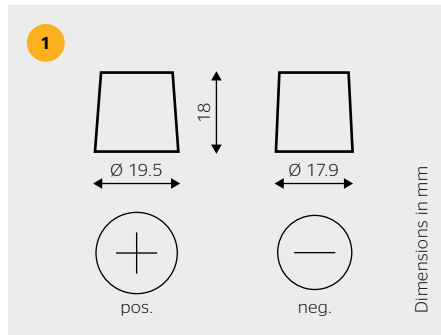
*Compared with conventional batteries.

Technical information

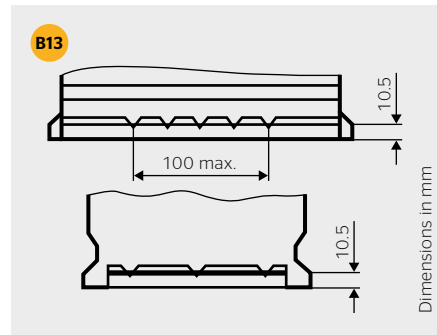
Article number	Type	Box	Dimensions (LxBxH) (mm)	Weight (kg)	Voltage (V)	Capacity (Ah)	Cold test current (A)	Polarity	Base plate	Circuit
2800012058280	EFB	L1	207 x 175 x 190	14.38	12	50	540	1	B13	0
2800012038280	EFB	L2	242 x 175 x 190	17.39	12	60	640	1	B13	0
2800012004280	EFB	LB3	277 x 175 x 175	18.29	12	65	650	1	B13	0
2800012039280	EFB	L3	278 x 175 x 190	20.07	12	70	760	1	B13	0
2800012005280	EFB	LB4	315 x 175 x 175	20.50	12	75	730	1	B13	0
2800012040280	EFB	L4	315 x 175 x 190	22.69	12	80	800	1	B13	0
2800012041280	EFB	L5	353 x 175 x 190	25.56	12	95	850	1	B13	0
2800012059280	EFB	L6	393 x 174 x 190	28.47	12	105	950	1	B13	0

Technical details

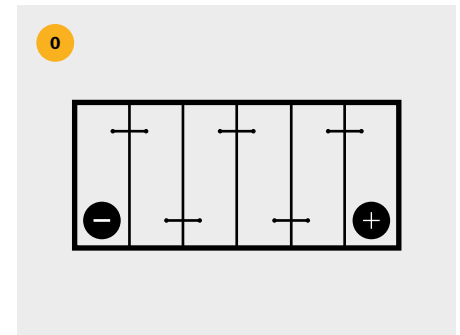
Pole type



Base plate design



Pole arrangement



Ordering information

Article number	Product description	EAN number	No. of/pallet	Weight (kg)/pallet	Packing unit
2800012058280	Start-stop battery EFB L1	4103590781048	60	892	1
2800012038280	Start-stop battery EFB L2	4103590680198	54	940	1
2800012004280	Start-stop battery EFB LB3	4103590680235	48	880	1
2800012039280	Start-stop battery EFB L3	4103590680204	46	939	1
2800012005280	Start-stop battery EFB LB4	4103590680242	42	862	1
2800012040280	Start-stop battery EFB L4	4103590680211	40	916	1
2800012041280	Start-stop battery EFB L5	4103590680228	36	922	1
2800012059280	Start-stop battery EFB L6	4103590781284	33	969	1

Continental batteries compared



Criteria	EFB battery	AGM battery	Starter battery
Vehicle type	Start-stop	Start-stop and recuperation	Without start-stop (gasoline/diesel vehicles)
Cycle stability	>> 200%*	>> 300%*	100%
Technology	EFB - Enhanced Flooded Battery	AGM - Absorbent Glass Mat	Lead acid
Maintenance	Maintenance-free	Maintenance-free	Low maintenance
Number of battery types	8	4	22
Cold start capacity	115%*	135%*	100%
Specification	OE-equivalent	OE-equivalent	OE-equivalent
Quality level	OEM quality	OEM quality	OEM quality
Suitable for recuperation	-	Yes	-
Deep discharge	Good	Very good	-
Vibration protection	Good	Very good	-
Charge acceptance	Good	Very good	-
Charge monitoring indicator (Magic Eye)	Yes	-	Yes
Leakproof	-	Yes	Yes
Warranty	2 years	2 years	2 years

*Compared with conventional batteries.



Continental Aftermarket & Services GmbH
 Sodener Straße 9 · 65824 Schwalbach · Germany
 Tel.: +49 6196 87-0
 info@continental-aftermarket.com
 www.continental-aftermarket.com